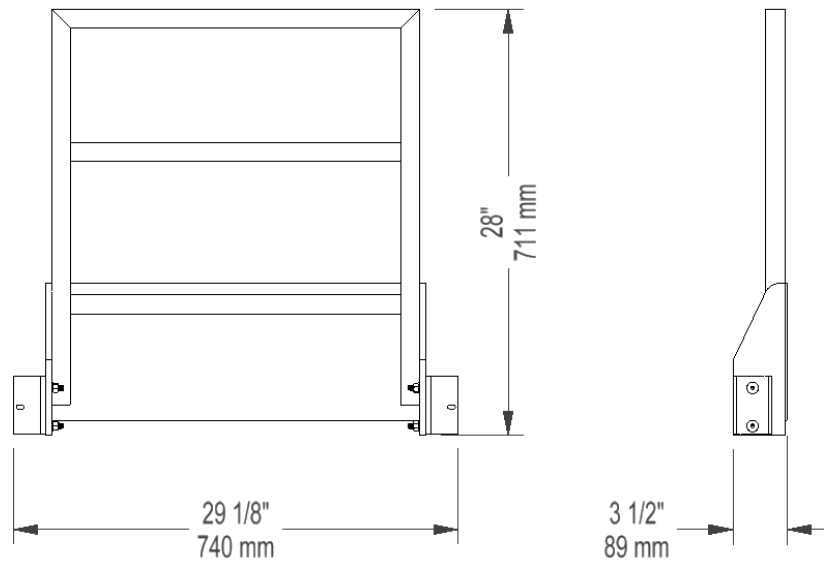
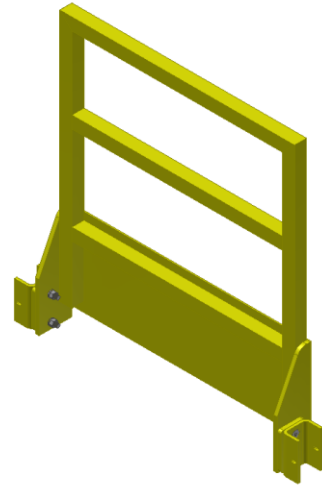
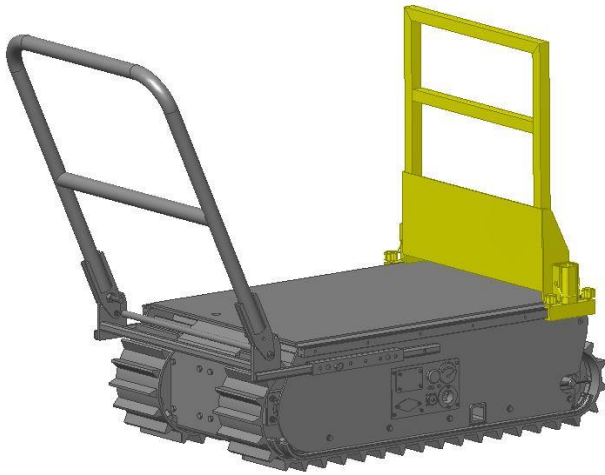


# BACKREST

## TECHNICAL SPECIFICATIONS



### PHYSICAL CHARACTERISTICS

Material	Aluminum	
Length	29 1/8 in	740 mm
Width	3 1/2 in	89 mm
Height	28 in	711 mm
Weight	15 lb	7 kg

### COMPATIBLE WITH :

- Track-O 75
- Twin-Track 47
- Twin-Track 66
- Heavy-Duty
- Cross-Country

*The information contained in this document is subject to change without notice.*