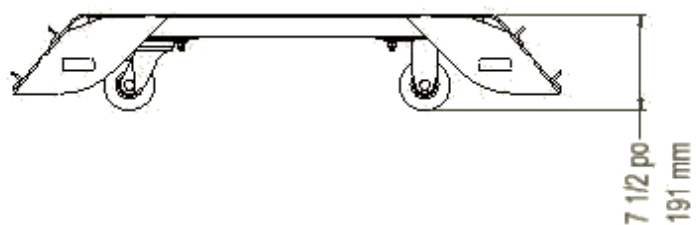
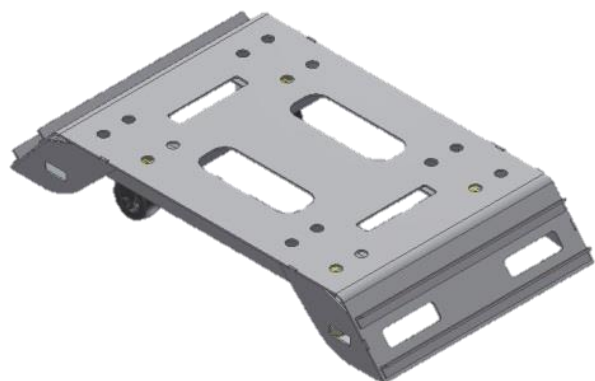
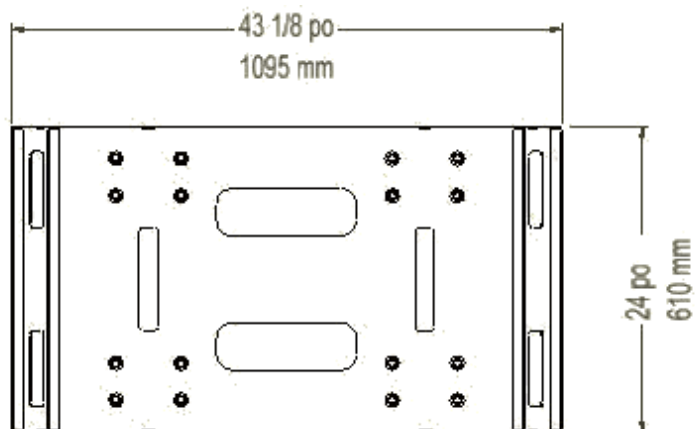
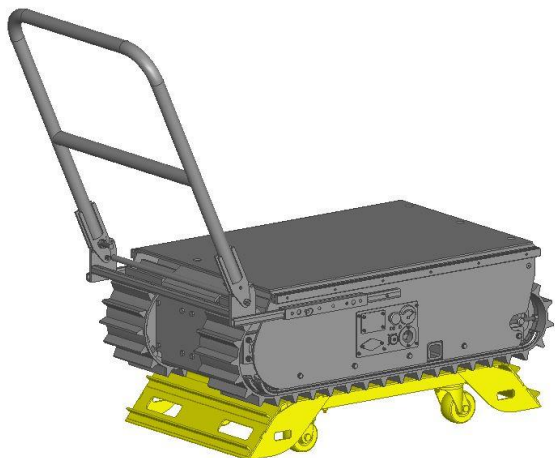


HD MOVING TROLLEY

TECHNICAL SPECIFICATIONS



PHYSICAL CHARACTERISTICS

Material	Aluminum	
Length	43 1/8 in	1095 mm
Width	24 in	610 mm
Height	7 1/2 in	191 mm
Weight	55 lb	25 kg
Load bearing capacity	3000 lb	1364 kg

COMPATIBLE WITH :

- Twin-Track 47
- Twin-Track 66
- Heavy-Duty
- Cross-Country

The information contained in this document is subject to change without notice.